

# VRB16-HP

## REGENERATIVE COMPRESSORS

Robust, no-maintenance cathode air compressors by Eberspächer VAIREX are critical for the functionality of modern fuel cells in both mobile and stationary applications. Our customers vary widely; applications include emission-free forklifts and material handling, range extenders for commercial electric vehicles, and stationary power generation systems.

### PRODUCT FEATURES:

- High total system efficiency
- Optimized pressure
- 100% oil free air flow
- Compact packaging and light weight design
- No wear components in the compressor head means consistent flow throughout the life of the compressor
- High efficiency BLDC motors
- Virtually vibration-free operation
- Zero flow pulsation typically associated with other technologies
- Precise flow control
- Low flow output for idle operation: generally, turn down to 1% of maximum flow is achieved
- Modular product range among widest in fuel cell industry

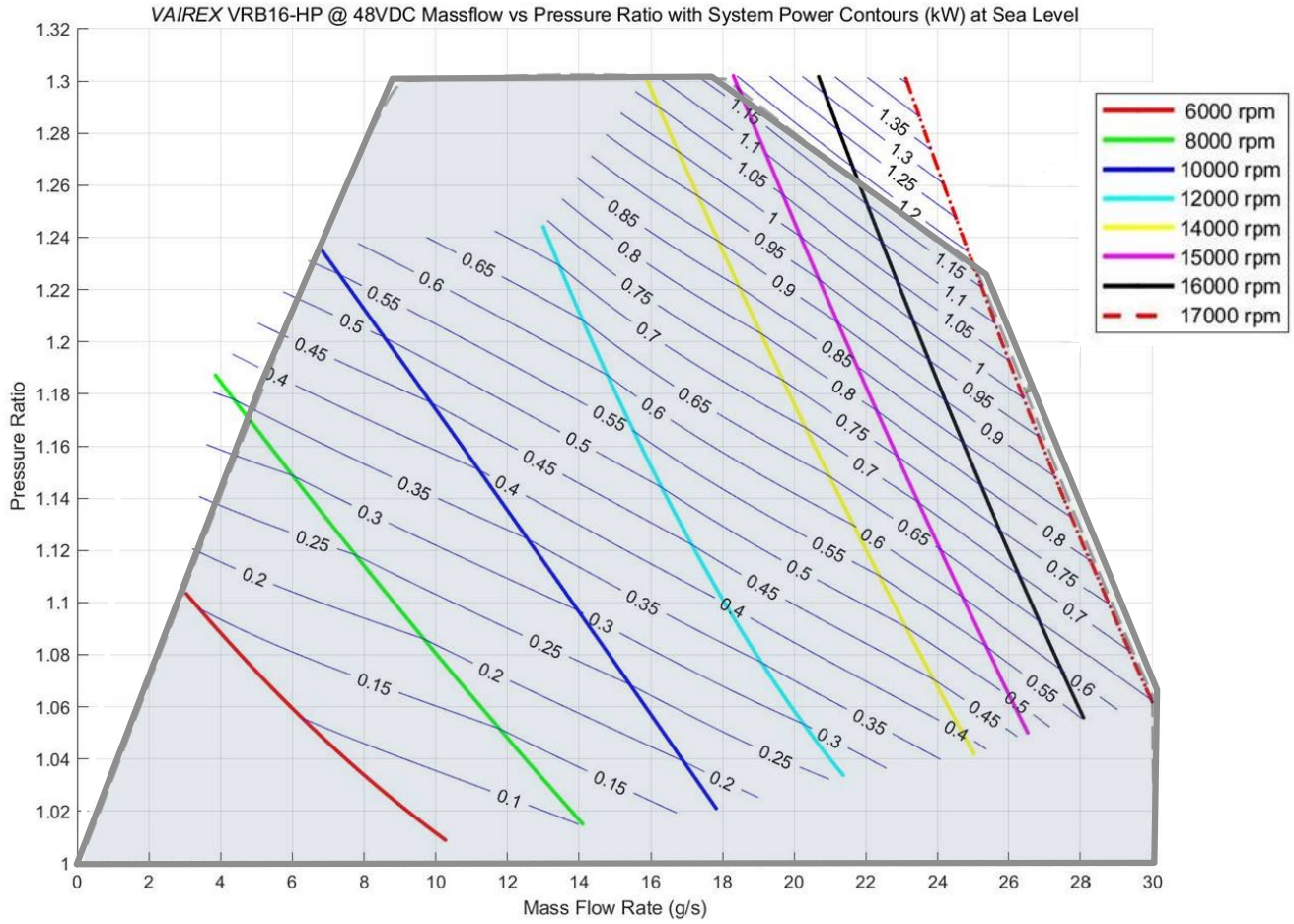


### TECHNICAL DATA:



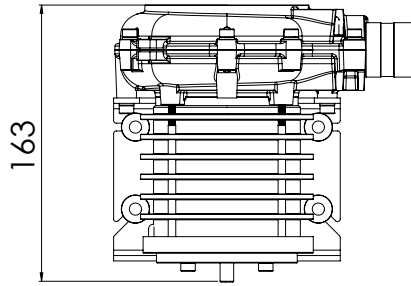
PACKAGING DATA		
Envelope Dimensions	176mm x 163mm x 146mm	
Weight	4.7 kg	
Voltage Options	48VDC	
Inlet Diameter	32mm (1.25in)	
OPERATIONAL DATA		
Medium	Filtered, Oil-Free Air	
Communication	CANopen or Analog I/O	
Bearing	Standard Sealed	
Motor Type	Brushless DC	
Cooling Mode	Air	
Insulation Class	NEMA Class F	
Expected Operational Life	25000 hours	
PERFORMANCE DATA		
	Minimum	Maximum Continuous
Inlet Pressure	0.71 bara	1.04 bara
Inlet Temperature	-20°C	50°C
Inlet Humidity (water vapor only)	0% RH	100% RH
Motor Power		1200W
Speed Range	6000rpm	17000rpm

VRB16-HP PERFORMANCE DATA:

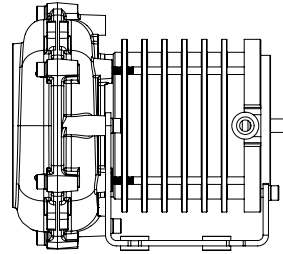


VRB16-HP:

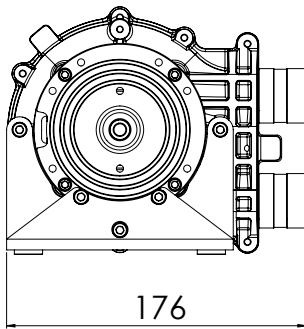
TOP VIEW



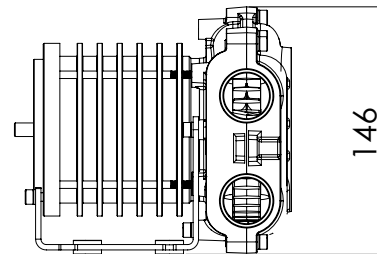
RIGHT VIEW



SIDE VIEW



LEFT VIEW



\*DIMENSIONS ARE SHOWN IN MILLIMETERS