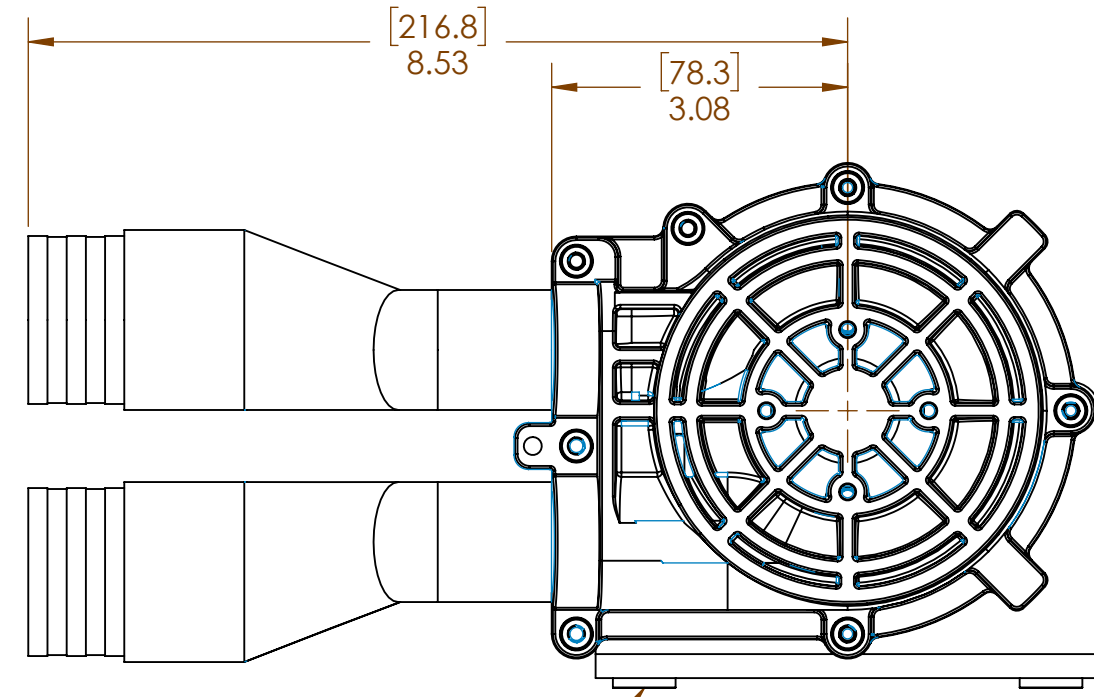
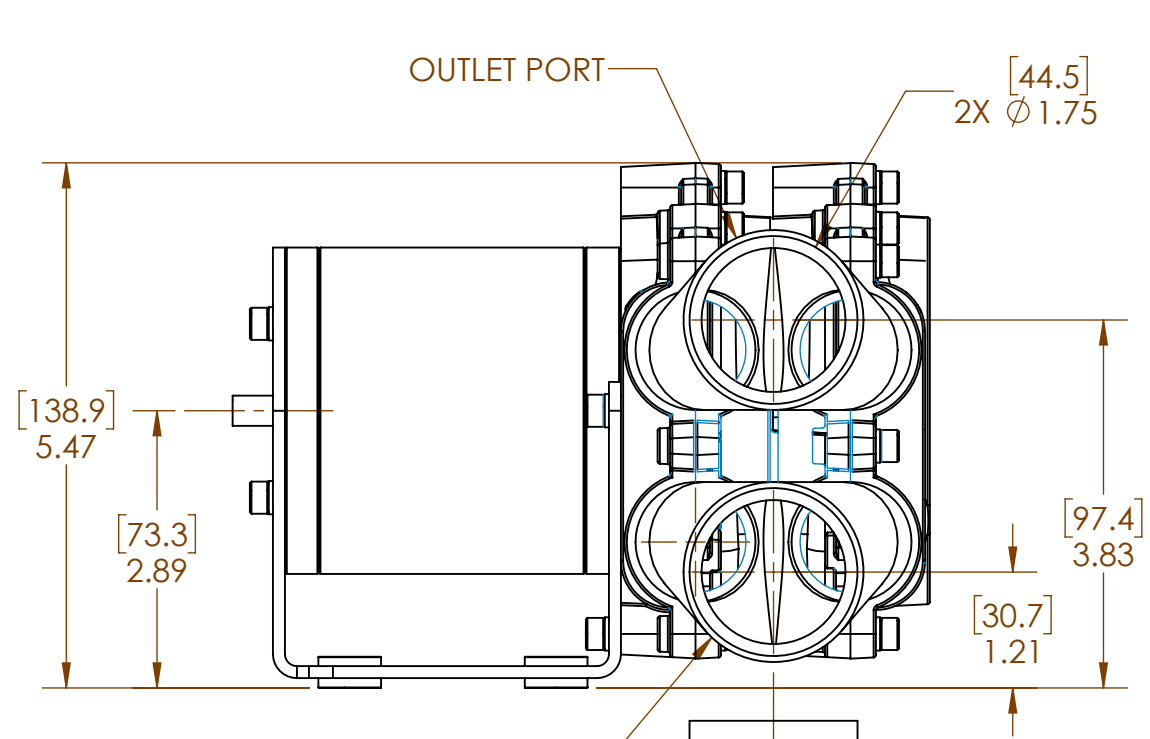
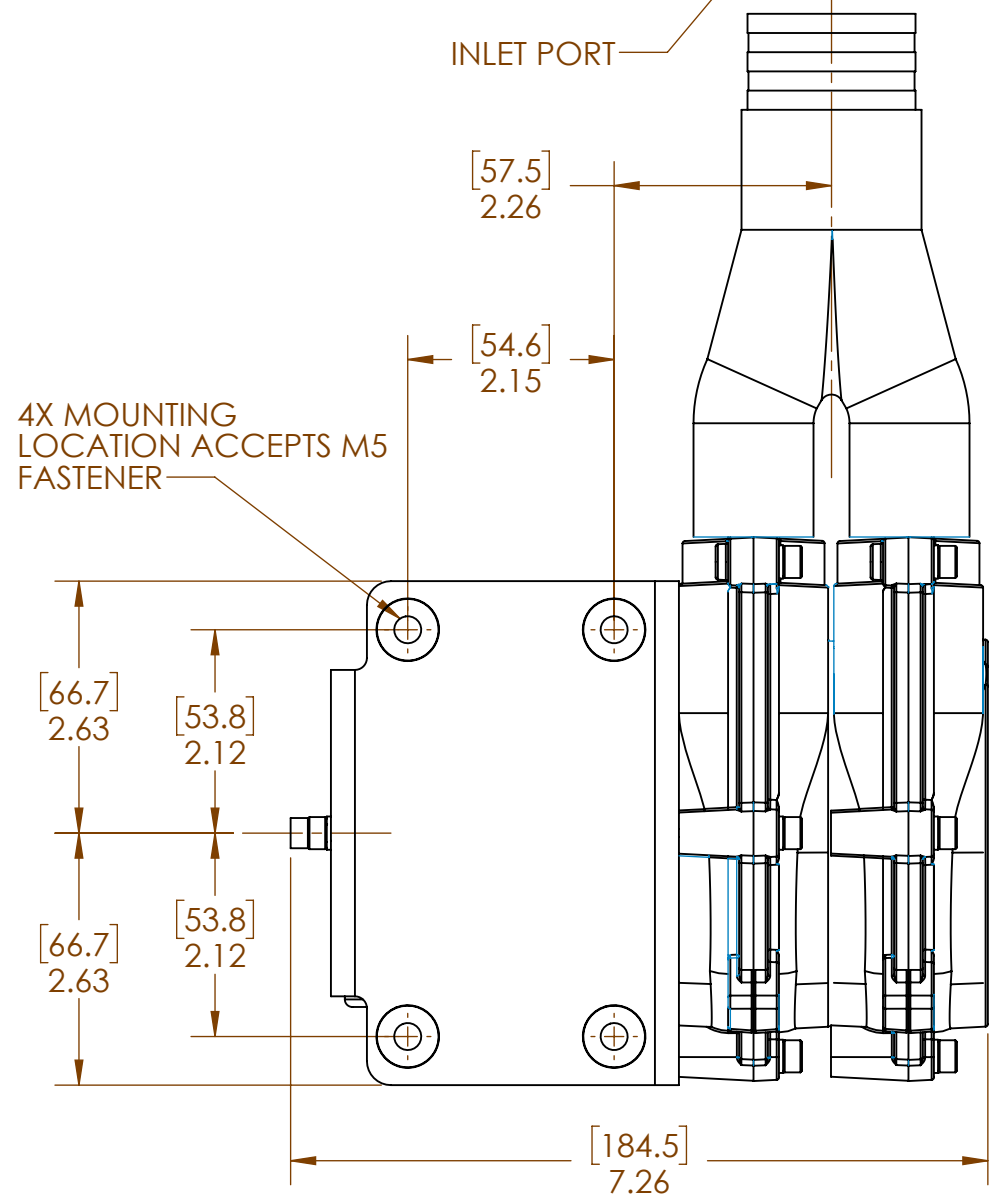


REVISIONS			
REV.	DESCRIPTION	DATE	APPRD
-	ENGINEERING RELEASE	12/15/14	JO

- NOTES:**
- 1) DOCUMENT FOR REFERENCE ONLY, DESIGN MAY CHANGE AT ANY TIME WITHOUT NOTICE
  - 2) PRIMARY DIMENSIONS IN INCHES. DIMENSIONS SHOWN IN PARENTHESES ARE IN MILLIMETERS [mm]
  - 3) WIRE HARNESS NOT SHOWN
  - 4) WEIGHT APPROX: 8.2 lbs (3.7kg)
  - 5) AVAILABLE OPTIONS:
    - STANDARD BRACKET ORIENTATION SHOWN, ALTERNATE BRACKET ORIENTATIONS AVAILABLE
    - STANDARD BRACKET SHOWN. APPLICATION SPECIFIC MOUNT BRACKETS AVAILABLE
  - 6) RECOMMENDED PERIPHERALS:
    - CONTROLLER: MOOG BDO-Q2-50-40 OR INMOTION APS48M-70C-35P
  - 7) CONTACT VAIREX FOR ADDITIONAL INFORMATION



SHOWN WITH SHOCK & VIBRATION ISOLATOR



MOTOR TERMINATION TABLE

CONNECTION	WIRE COLOR
PHASE B	BLACK
PHASE C	GREEN
PHASE A	RED
S1, HALL SENSOR 1	BROWN
S2, HALL SENSOR 2	BLUE
S3, HALL SENSOR 3	ORANGE
VCC, HALL SUPPLY	YELLOW
HALL GROUND	GRAY

**VAIREX** air systems

3048 Valmont Road  
Boulder, CO 80301-2115  
sales@vairerx.com

TITLE <b>VRB8-2-35, PARALLEL OPERATION</b>		REFERENCE ONLY THIS DOCUMENT IS THE PROPERTY OF VAIREX AIR SYSTEMS. THIS DOCUMENT IS FOR REFERENCE ONLY. CONTACT VAIREX FOR MOST UP TO DATE INSTALLATION DRAWING. ACCEPTANCE OF THIS DOCUMENT INDICATES AGREEMENT TO THE ABOVE CONDITIONS.	
DRAWING NUMBER <b>22019-06</b>	REV -	Signatures	Date
DRAWN BY -	-	CHECKED BY -	-
ENGINEER -	-	APPROVED	-
USED WITH <b>NA</b>			
MATERIAL SEE NOTES	FINISH 63	SIZE B	SCALE DO NOT SCALE
		SHEET 1 OF 1	